

G02775

Goldblatt®

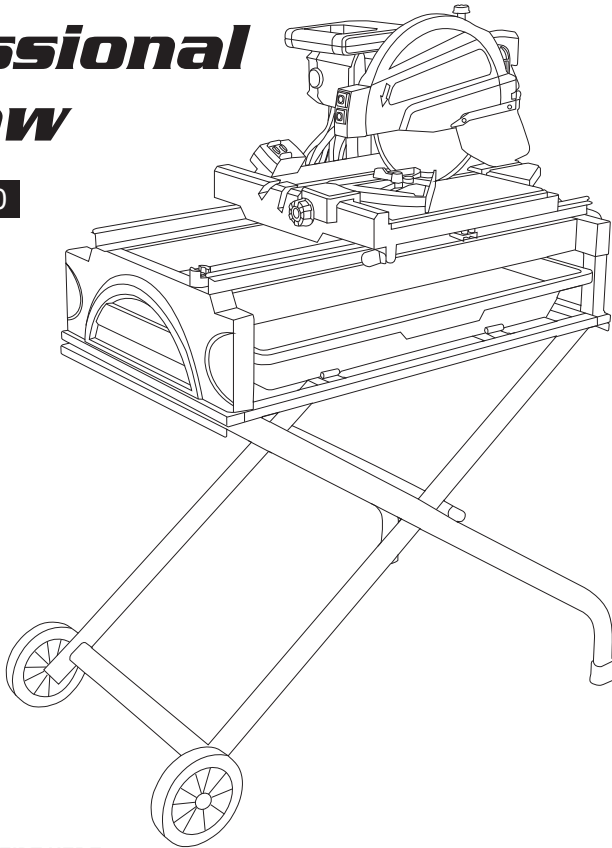
SINCE 1885

15 A

10 in.
254 mm

Professional Tile Saw

Español página 20



ATTACH YOUR RECEIPT HERE

Serial Number _____ Purchase Date _____ MNL_G02775_V02_20170328



Questions, problems, missing parts? Before returning to your retailer, call our customer service department at 1-877-876-7562, 8 a.m. - 5 p.m., CST, Monday - Friday.

TABLE OF CONTENTS

Important Safety Information.....	3
Safety Symbols.....	10
Specifications.....	10
Setup.....	10
Operation.....	13
Maintenance.....	17
Troubleshooting guide.....	18
Warranty.....	19

IMPORTANT SAFETY INFORMATION

General Tool Safety Warnings

WARNING

Read all safety warnings and instructions.

Failure to follow the warnings and instructions may result in electric shock, fire and/or serious injury.

Save all warnings and instructions for future reference.

- 1. KEEP GUARDS IN PLACE and in working order.**
- 2. REMOVE ADJUSTING KEYS AND WRENCHES.** Form habit of checking to see that keys and adjusting wrenches are removed from tool before turning it on.
- 3. KEEP WORK AREA CLEAN.** Cluttered areas and benches invite accidents.
- 4. DON'T USE IN DANGEROUS ENVIRONMENT.** Don't use power tools in damp or wet locations, or expose them to rain. Keep work area well lighted.
- 5. KEEP CHILDREN AWAY.** All visitors should be kept safe distance from work area.
- 6. MAKE WORKSHOP KID PROOF** with padlocks, master switches, or by removing starter keys.
- 7. DON'T FORCE TOOL.** It will do the job better and safer at the rate for which it was designed.
- 8. USE RIGHT TOOL.** Don't force tool or attachment to do a job for which it was not designed.

**Table A: RECOMMENDED MINIMUM WIRE GAUGE FOR
EXTENSION CORDS (120 VOLT)**

NAMEPLATE AMPERES (at full load)	EXTENSION CORD LENGTH			
	25'	50'	100'	150'
0 – 6	18	16	16	14
6.1 – 10	18	16	14	12
10.1 – 12	16	16	14	12
12.1 – 16	14	12	Do not use.	

- 9. USE PROPER EXTENSION CORD.** Make sure your extension cord is in good condition. When using an extension cord, be sure to use one heavy enough to carry the current your product will draw. An undersized cord will cause a drop in line voltage resulting in loss of power and overheating.

GENERAL TOOL SAFETY WARNINGS

Table A shows the correct size to use depending on cord length and nameplate ampere rating. If in doubt, use the next heavier gauge. The smaller the gauge number, the heavier the cord.

- 10. WEAR PROPER APPAREL.** Do not wear loose clothing, gloves, neckties, rings, bracelets, or other jewelry which may get caught in moving parts. Nonslip footwear is recommended. Wear protective hair covering to contain long hair.
- 11. ALWAYS USE SAFETY GLASSES.** Also use face or dust mask if cutting operation is dusty. Everyday eyeglasses only have impact resistant lenses, they are NOT safety glasses.
- 12. SECURE WORK.** Use clamps or a vise to hold work when practical. It's safer than using your hand and it frees both hands to operate tool.
- 13. DON'T OVERREACH.** Keep proper footing and balance at all times.
- 14. MAINTAIN TOOLS WITH CARE.** Keep tools sharp and clean for best and safest performance. Follow instructions for lubricating and changing accessories.
- 15. DISCONNECT TOOLS** before servicing; when changing accessories, such as blades, bits, cutters, and the like.
- 16. REDUCE THE RISK OF UNINTENTIONAL STARTING.** Make sure switch is in off position before plugging in.
- 17. USE RECOMMENDED ACCESSORIES.** Consult the owner's manual for recommended accessories. The use of improper accessories may cause risk of injury to persons.
- 18. NEVER STAND ON TOOL.** Serious injury could occur if the tool is tipped or if the cutting tool is unintentionally contacted.
- 19. CHECK DAMAGED PARTS.** Before further use of the tool, a guard or other part that is damaged should be carefully checked to determine that it will operate properly and perform its intended function – check for alignment of moving parts, binding of moving parts, breakage of parts, mounting, and any other conditions that may affect its operation. A guard or other part that is damaged should be properly repaired or replaced.
- 20. DIRECTION OF FEED.** Feed work into a blade or cutter against the direction of rotation of the blade or cutter only.
- 21. NEVER LEAVE TOOL RUNNING UNATTENDED. TURN POWER OFF.** Don't leave tool until it comes to a complete stop.

GROUNDING INSTRUCTIONS



⚠ WARNING

To prevent electric shock and death from incorrect grounding wire connection read and follow these instructions:

110-120 V~ Grounded Tools: Tools with Three Prong Plugs

1. In the event of a malfunction or breakdown, grounding provides a path of least resistance for electric current to reduce the risk of electric shock. This tool is equipped with an electric cord having an equipment-grounding conductor and a grounding plug. The plug must be plugged into a matching outlet that is properly installed and grounded in accordance with all local codes and ordinances.
2. Do not modify the plug provided – if it will not fit the outlet, have the proper outlet installed by a qualified electrician.
3. Improper connection of the equipment-grounding conductor can result in a risk of electric shock. The conductor with insulation having an outer surface that is green with or without yellow stripes is the equipment-grounding conductor. If repair or replacement of the electric cord or plug is necessary, do not connect the equipment-grounding conductor to a live terminal.
4. Check with a qualified electrician or service personnel if the grounding instructions are not completely understood, or if in doubt as to whether the tool is properly grounded.
5. Use only 3-wire extension cords that have 3-prong grounding plugs and 3-pole receptacles that accept the tool's plug.
6. Repair or replace damaged or worn cord immediately.
7. This tool is intended for use on a circuit that has an outlet that looks like the one illustrated above in **Figure A: 125 V~ 3-Prong Plug and Outlet**. The tool has a grounding plug that looks like the plug illustrated above in **Figure A: 125 V~ 3-Prong Plug and Outlet**.
8. The outlet must be properly installed and grounded in accordance with all codes and ordinances.
9. Do not use an adapter to connect this tool to a different outlet.

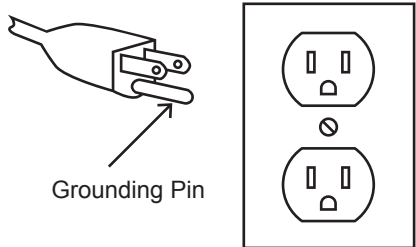


Figure A: 125 V~ 3-Prong Plug and Outlet(for up to 125 V~ and up to 15 A)

TILE SAW SAFETY WARNINGS

For Your Own Safety Read Instruction Manual Before Operating Saw

1. Wear eye protection.
2. Use saw-blade guard and spreader for every operation for which it can be used, including all through sawing.
3. Keep hands out of the line of saw blade.
4. Use an appropriate push-stick when required.
5. Know how to reduce risk of kickback.
6. Do not perform any operation freehand.
7. Never reach around or over saw blade.
8. Make sure the workpiece is supported at all times while sawing. Use a roller stand (not provided) with larger workpieces if necessary.
9. To properly understand all safety warnings, be familiar with the following safety terms and equipment:
 - a. Featherboard – A block with “fingers” that hold the workpiece against the fence while sawing.
 - b. Through-sawing – A cut made from one side of a tile to the opposite side, without stopping.
 - c. Push-stick – A narrow strip of wood or other soft material with a notch cut into one end and which is used to push short pieces of material through saws. It provides a safe distance between the hands and the cutting tool. Must be narrower than the cut width to prevent contact with the blade.
 - d. Freehand – Feeding a workpiece through the saw without using a fence or guided support to guide it. **NOT A SAFE METHOD.**
 - e. Kerf – The gap made by the saw in the workpiece.
 - f. Kickback – A sudden reaction to a pinched, bound, or misaligned blade, causing an uncontrolled workpiece to lift up and out of the saw toward the operator.
 - g. Spreader – A metal plate that follows the saw blade to keep the kerf (gap) from closing on the saw blade. Spreaders, except riving knives, must be aligned to the blade after blade adjustment to prevent binding.
10. As noted previously, Kickback is a sudden reaction to a pinched, bound, or misaligned blade, causing an uncontrolled workpiece to lift up and out of the saw toward the operator. Kickback is usually a result of tool misuse and can be limited or avoided by following the precautions below:
 - Fence must be completely parallel to the saw blade.
 - Workpiece must be free from flaws and from foreign objects (such as nails and screws).

TILE SAW SAFETY WARNINGS

- Support large workpieces along their entire length. Large workpieces tend to bend, grabbing the blade.
 - Maintain control of the workpiece. Do not allow the workpiece to rest against the moving blade without holding onto it.
 - If the blade binds or a cut is interrupted, turn off the power switch and hold the workpiece still until the blade stops. Correct the cause of blade binding before proceeding.
11. Check the guard for proper operation with saw disconnected from power before each use. Do not disable any guard. Do not operate saw if any movable guard does not move freely and close instantly. Make sure any movable guard does not touch the blade in all angles, depths of cut, and positions.
 12. Keep the guard in place while through-sawing. Verify that the spreader lines up with the blade to prevent binding.

POSITION OF TILE SAW

13. To avoid the possibility of the tool plug or receptacle getting wet, position tile saw to one side of a wall mounted receptacle to prevent water from dripping onto the receptacle or plug. The user should arrange a “drip loop” in the cord connecting the saw to a receptacle. The “drip loop” is that part of the cord below the level of the receptacle, or the connector if an extension cord is used, to prevent water traveling along the cord and coming in contact with the receptacle.

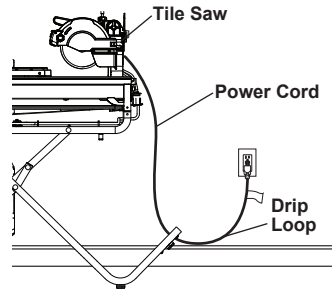


Figure B: Drip Loop

14. If the plug or receptacle does get wet, DON'T unplug the cord. Disconnect the fuse or circuit breaker that supplies power to the tool. Then unplug and examine for presence of water in the receptacle.

EXTENSION CORDS

15. If an extension cord is used, the drip loop must be before the cord connection and the extension cord connection must be placed on an elevated surface.
16. Use only extension cords that are intended for outdoor use. These extension cords are identified by a marking “Acceptable for use with outdoor tools; store indoors while not in use.” Use only extension cords having an electrical rating not less than the rating of the product.

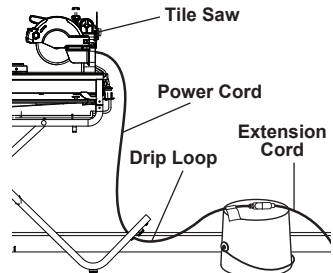


Figure C: Extension Cord Drip Loop

EXTENSION CORDS

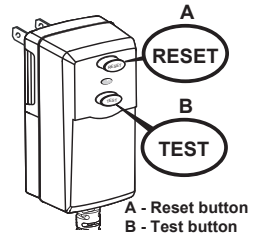
Do not use damaged extension cords. Examine extension cord before using and replace if damaged. Do not abuse extension cords and do not yank on any cord to disconnect. Keep cord away from heat and sharp edges. Always disconnect the extension cord from the receptacle before disconnecting the product from the extension cord.

- WARNING** – To reduce the risk of electrocution, keep all connections dry and off the ground. Do not touch plug with wet hands.
- Ground Fault Circuit Interrupter (GFCI) protection should be provided on the circuit(s) or outlet(s) to be used for the tile saw. Receptacles are available having built-in GFCI protection and may be used for this measure of safety.



WARNING !

Do not operate tool without GFCI intact. Do not replace cord in order to bypass the GFCI. If the cord is damaged, do not use the product, take the product to an authorized service center for repair. Failure to do so can result in serious personal injury.



ADDITIONAL TILE SAW SAFETY WARNINGS

- DO NOT OPERATE WITH ANY GUARD DISABLED, DAMAGED, OR REMOVED.** Moving guards must move freely and close instantly.
- The use of accessories or attachments not recommended by the manufacturer may result in a risk of injury to persons.
- When servicing use only identical replacement parts.
- Do not depress the spindle lock when starting or during operation.
- Only use safety equipment that has been approved by an appropriate standards agency. Unapproved safety equipment may not provide adequate protection. Eye protection must be ANSI-approved and breathing protection must be NIOSH-approved for the specific hazards in the work area.
- Stay alert, watch what you are doing and use common sense when operating a power tool. Do not use a power tool while you are tired or under the influence of drugs, alcohol or medication. A moment of inattention while operating power tools may result in serious personal injury.
- Industrial applications must follow OSHA guidelines.
- Maintain labels and nameplates on the tool. These carry important safety information. If unreadable or missing, contact Harbor Freight Tools for a replacement.
- Avoid unintentional starting. Prepare to begin work before turning on the tool.
- People with pacemakers should consult their physician(s) before use. Electromagnetic fields in close proximity to heart pacemaker could cause pacemaker interference or pacemaker failure.

POSITION OF TILE SAW

29. **WARNING:** Some dust created by power sanding, sawing, grinding, drilling, and other construction activities, contains chemicals known [to the State of California] to cause cancer, birth defects or other reproductive harm. Some examples of these chemicals are:
- Lead from lead-based paints
 - Crystalline silica from bricks and cement or other masonry products
 - Arsenic and chromium from chemically treated lumber Your risk from these exposures varies, depending on how often you do this type of work. To reduce your exposure to these chemicals: work in a well ventilated area, and work with approved safety equipment, such as those dust masks that are specially designed to filter out microscopic particles. (California Health & Safety Code § 25249.5, et seq.)
30. **WARNING:** Handling the cord on this product will expose you to lead, a chemical known to the State of California to cause cancer, and birth defects or other reproductive harm. Wash hands after handling. (California Health & Safety Code § 25249.5, et seq.)
31. The warnings, precautions, and instructions discussed in this instruction manual cannot cover all possible conditions and situations that may occur. It must be understood by the operator that common sense and caution are factors which cannot be built into this product, but must be supplied by the operator.

VIBRATION SAFETY

This tool vibrates during use. Repeated or long-term exposure to vibration may cause temporary or permanent physical injury, particularly to the hands, arms and shoulders. To reduce the risk of vibration-related injury:

1. Anyone using vibrating tools regularly or for an extended period should first be examined by a doctor and then have regular medical check-ups to ensure medical problems are not being caused or worsened from use. Pregnant women or people who have impaired blood circulation to the hand, past hand injuries, nervous system disorders, diabetes, or Raynaud's Disease should not use this tool. If you feel any medical or physical symptoms related to vibration (such as tingling, numbness, and white or blue fingers), seek medical advice as soon as possible.
2. Do not smoke during use. Nicotine reduces the blood supply to the hands and fingers, increasing the risk of vibration-related injury.
3. Use tools with the lowest vibration when there is a choice between different processes.
4. Include vibration-free periods each day of work.
5. Grip tool as lightly as possible (while still keeping safe control of it). Let the tool do the work.

VIBRATION SAFETY

6. To reduce vibration, maintain the tool as explained in this manual. If any abnormal vibration occurs, stop use immediately.

EXPLANATION OF SYMBOLS



Conforms to United States and Canadian standards



Wear ear protection



Read instructions before use



Wear eye protection



Risk of electric shock



Wear suitable face mask



Risk of injury when instructions are not followed



Wear gloves



Wet conditions alert



Waste electrical products should not be disposed of with household waste

TECHNICAL SPECIFICATIONS

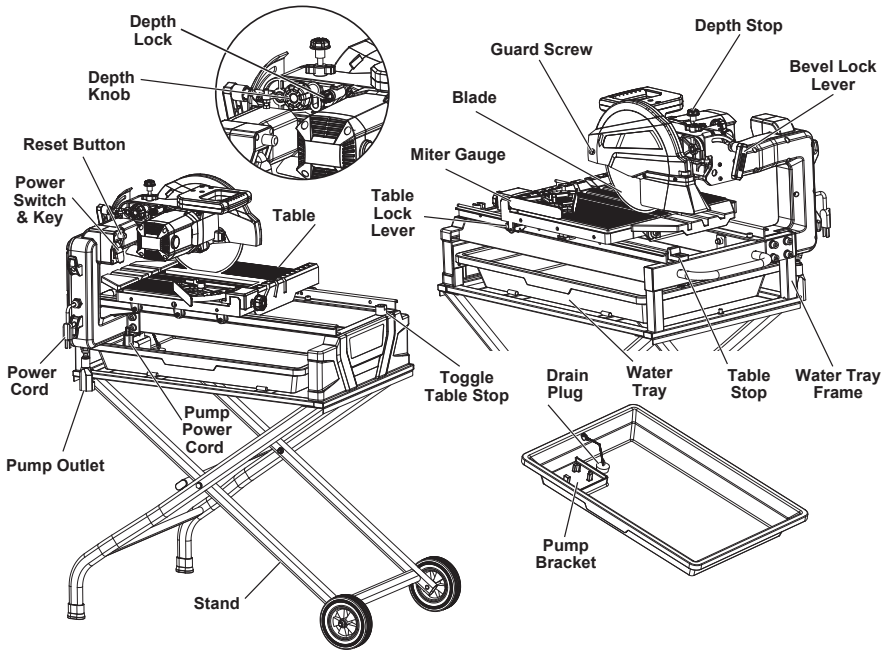
Code	G02775
Model	TC250Va
Voltage	120V~ 60Hz 15AMP
No load speed	4000 RPM
Insulation class	Class I
Dimensions of the diamond disc	10" x 5/8" (254 x 16 mm)
Bevel cuts	0°/22.5°/45°
Max. cutting length	24" (610 mm)
Max. cutting width	12-29/32" (328 mm)
Max. cutting diagonal	18" (457 mm)
Max. cutting depth	3-1/2" (89 mm) at 90°
	1-1/2" (38 mm) at 45°
Net weight	90.4 lbs (41 kg)

SETUP - BEFORE USE:



Read the **ENTIRE IMPORTANT SAFETY INFORMATION** section at the beginning of this manual including all text under subheadings therein before set up or use of this product.

FUNCTIONS



Power Switch: The Power Switch includes a Key for safety. The Tile Saw switch cannot be turned on without the key. Remove the Key after use.

Reset Button: Directly above the Power Switch is the Reset Button. If the Tile Saw overheats it will shut down automatically. Allow it to cool down, make sure there are no loose connections or damaged cords, and then press the Reset Button to restart the Saw. Do not force workpieces into the saw and make sure the blade is properly wetted to reduce overheating.

Toggle Table Stop: This allows the Table to be removed if needed. Lift the Stop and turn it to lock/unlock. If the slot is aligned with the Table, the Table can be removed. If the slot is turned sideways, the Table is locked into the saw.

Table Lock Lever: To lock the Table in place, line up this Lever's pin with the hole in the rail, and press the Lever towards the rail. Pull out on the Lever to unlock the Table.

ASSEMBLY



WARNING

TO PREVENT SERIOUS INJURY FROM ACCIDENTAL OPERATION:

Turn the Power Switch of the tool to its "OFF" position, remove the key, and unplug the tool from its electrical outlet before assembling or making any adjustments to the tool.

INSTALLING THE WATER TRAY FRAME TO THE LEG STAND

1. Lock the Toggle Table Stop by pulling up on it and turning it until the slot in the center of the Stop is horizontal (left to right).
2. Pull the Table to the front of the Frame. From under the right side of the Table, align the hole in the rail with the pin in the Table Lock Lever. Push the pin into the rail, locking the Table.
3. Align the holes on the Water Tray Frame with the holes on the Stand.
4. Insert Short Bolts through Washers and into holes. Tighten securely.

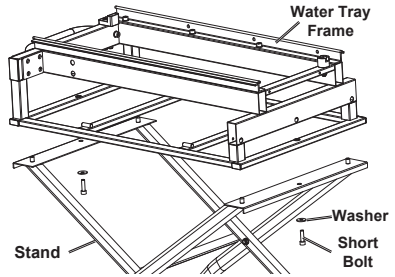


Figure D: Water Tray Frame Installation

INSTALLING MOTOR HEAD AND WATER TRAY FRAME

1. Install Handle to end of Water Tray Frame using Bolts and Washers.
2. Align the holes in the Motor Head assembly with the holes on the side of the Water Tray Frame.
3. Insert two Short Bolts through Washers, and then into holes on side of Motor Head. Loosely secure using Lock Nuts.
4. Insert four Long Bolts through Lock Washers and Washers. Insert into holes on end of Water Tray Frame, as shown. Finger tighten.
5. Tighten all Bolts securely.

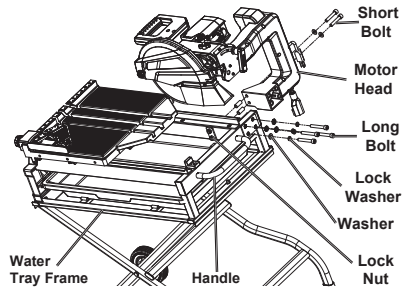


Figure E: Motor Head Installation

INSTALLING THE PARTICLE TRAY

1. Unlock the Table Lock Lever. Lift and turn the Toggle Table Stop so that its slot aligns with the Table.
2. Pull the Table to the front of the Water Tray Frame.
3. Slide the Particle Tray into the Grooves on the underside of the Table.
4. Return the Table to its working position, and lift then turn the Toggle Table Stop so that its slot aligns sideways.

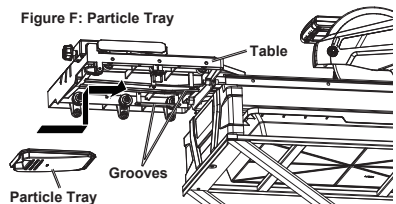


Figure F: Particle Tray

WATER TRAY AND PUMP SETUP

1. From the right side of the saw, place the Water Tray (drain plug end to the left) on the lip at the bottom of the Water Tray Frame.
2. Slide the Water Tray in under the Table until it rests in place within the tabs.
3. Adjust the flow control on the Pump to the desired level.
4. Place the Pump into the Pump Bracket in the Pump Basin. It should fit securely into the Bracket.
5. Connect the clear water Hose from under the arm of the Motor Head to the Hose Connector on the Pump.
6. **Make sure your hands are dry and the Tile Saw is unplugged**, then attach the Pump Power Cord to the Pump Outlet on the Motor Head.
7. Fill the Water Tray with clean water up to the Fill Rim (see Figure H) before every use.

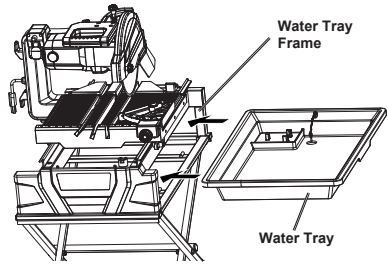


Figure G: Water Tray Installation

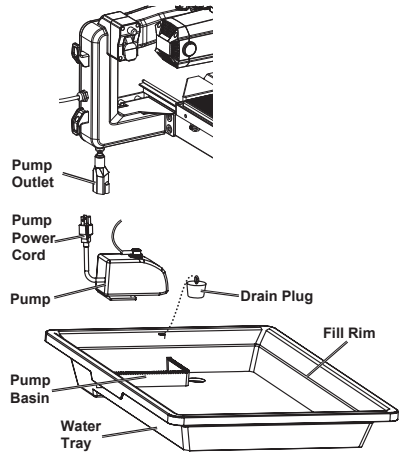


Figure H: Pump setup

OPERATING INSTRUCTIONS



Read the **ENTIRE IMPORTANT SAFETY INFORMATION** section at the beginning of this manual including all text under subheadings therein before set up or use of this product.



WARNING !

TO PREVENT SERIOUS INJURY FROM ACCIDENTAL OPERATION:

Turn the Power Switch of the tool to its "OFF" position, remove the key, and unplug the tool from its electrical outlet before assembling or making any adjustments to the tool.

TO PREVENT SERIOUS INJURY:

DO NOT OPERATE WITH ANY GUARD DISABLED, DAMAGED, OR REMOVED.

INSTALLING BLADE

1. Unplug the saw.
2. Loosen the Guard screw with screwdriver (not supplied).
3. Open the Guard to expose the Spindle.
4. Loosen the Spindle Nut counterclockwise and remove the old Blade, if installed.
5. Place the Inner Flange onto the Spindle. Install with the cupped side of the Inner Flange facing the tile saw housing.
6. Wipe a drop of oil onto the Inner Flange where it will contact the Blade.

WARNING! TO PREVENT SERIOUS INJURY: Only use a smooth rim, wet cutting, 10" Blade rated to at least 4,000 RPM on this tool.

Do not use a Blade that is too thick to allow Outer Flange to engage with the flats on the Spindle. Do not use a Blade that has openings, grooves, or teeth.

7. Slide the Blade onto Spindle.
8. Place Outer Flange onto the Spindle. The flats on the Outer Washer align with the flats on the Spindle. Install with the cupped side of the Outer Flange facing the blade.
9. Place Spindle Nut on Spindle.
10. Press and hold the Spindle Lock in.
11. Wrench-tighten Spindle Nut securely. Release the Spindle Lock.
12. Close the Guard, and tighten the Guard screw with screwdriver(not supplied) to secure it.

MITER ADJUSTMENT

Note: The Miter Gauge can be used from either the left or the right side of the Blade.

1. Place the slot on the underside of the Miter Gauge on the Table Fence.
2. Lock the Miter Gauge securely to the table by turning the Gauge Lock Knob clockwise.
3. To adjust angles:
 - a. Loosen the Miter Lock Lever.
 - b. Set to the desired angle by moving the Guide left or right.
 - c. Tighten the Miter Lock Lever securely before turning on the saw.

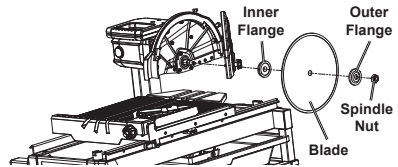


Figure I: Blade Assembly

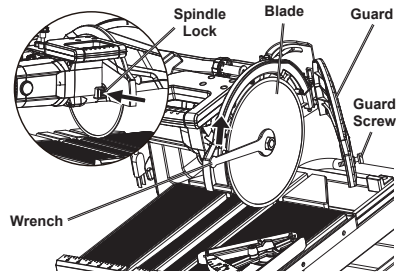


Figure J: Securing Blade

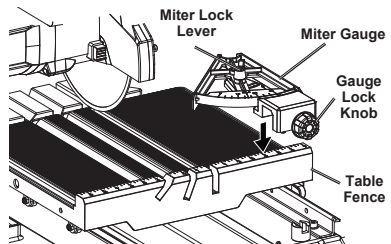


Figure K: Miter Gauge

BEVEL ADJUSTMENT

1. Slide the Table clear of the Blade to prevent blade damage.
2. Loosen the Bevel Lock Lever.
3. Adjust the Motor Head to the desired angle: 0°, 22.5° or 45°. Do not set bevel to any other setting, the slots in the table are designed only for these cuts.
4. Tighten the Bevel Lock Lever.

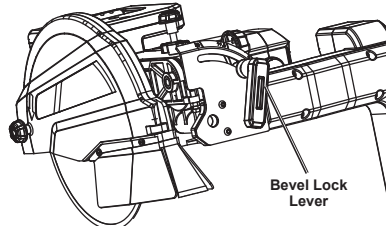


Figure L: Bevel Lock Lever

DEPTH ADJUSTMENT

1. **Depth Lock:** Use the Depth Lock to lock the Motor Head in the down position; press it in while the Motor Head is down to lock, and pull out while holding down the Motor Head to unlock.
2. **Depth Knob:** The Depth Knob can be used to lock the Motor Head at a particular cutting depth; tighten it to lock the Motor Head in place, loosen it to allow adjustment.
3. **Depth Stop:** This controls the maximum cut depth. If the blade cuts too deeply or too shallowly; loosen the Depth Stop Lock, adjust the Depth Stop, and tighten the Depth Stop Lock again.

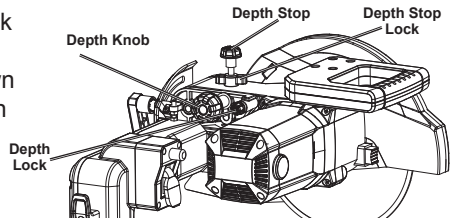


Figure M: Depth Controls

WORK PIECE AND WORK AREA SET UP

1. Designate a work area that is clean and well-lit. The work area must not allow access by children or pets to prevent distraction and injury.
2. Route the power cord along a safe route to reach the work area without creating a tripping hazard or exposing the power cord to possible damage. The power cord must reach the work area with enough extra length to allow free movement while working. Set up the Power Cord with a drip loop, see Position of Tile Saw on page 7.
3. There must not be objects, such as utility lines, nearby that will present a hazard while working.
4. Keep workpieces pressed firmly against the Table and Fence while cutting.
5. Mark cut lines using waterproof marker or crayon.

Note: This tool is intended for use on man-made masonry and tile products only.

USING THE LASER GUIDE OR LED

DANGER

Laser radiation. Avoid direct eye contact with light source.

WARNING !

Use of controls or adjustments or performance of procedures other than those specified herein could result in hazardous radiation exposure.

- Press on the laser or LED switch button to turn on the laser or LED.
- When the laser guide switch is turned on, it will generate a red line. The laser line is pre-adjusted at the factory.
- Turn the laser adjustment knob if the laser line isn't aligned.
- Press on the laser or LED switch button again to turn off the laser or LED.

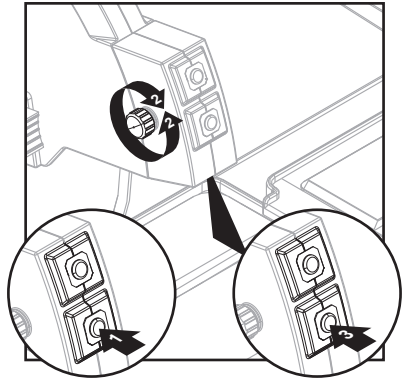


Figure N

GENERAL OPERATING INSTRUCTIONS

1. Fill the Water Tray with clean water up to the Fill Rim (see Figure H on page 13) before every use.

CAUTION: Water level must be kept above lip of pump basin at all times during operation.

2. Adjust the Miter, Bevel, and Depth settings as needed, see previous page. Lock all settings in place.
3. Place the workpiece on the Table and firmly against the Miter Gauge and Fence.
4. Make sure the workpiece is clear of the Blade, then dry your hands, plug in the Saw, insert the Key and turn the Power Switch to the ON position.
5. Make sure the pump is supplying enough water to the Blade. If needed, dry your hands, unplug the Saw, adjust the Pump's flow control, dry your hands again, and plug the Saw back in.

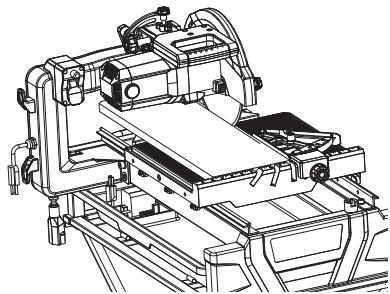


Figure O: Straight Cut

GENERAL OPERATING INSTRUCTIONS

6. Let the Blade build up to full speed before cutting.
7. Hold the material firmly against the rip guide and feed the material into the Blade.
8. When the cut is made, turn the Saw OFF. Wait for the Blade to come to a complete stop before removing any part of the workpiece.
9. To prevent accidents, turn off the Saw, remove the Key, and unplug the Tile Saw after use. Clean, then store the Saw indoors out of children's reach.

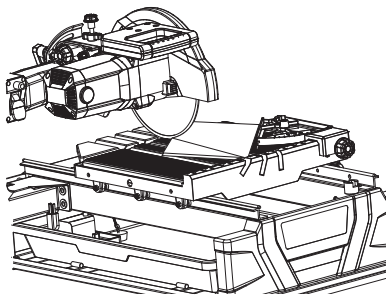


Figure P: Miter Cut

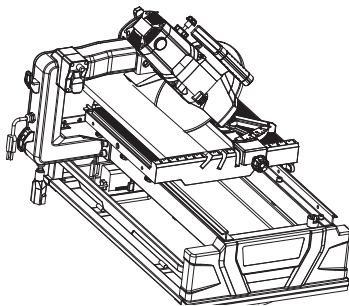



Figure Q: Bevel Cut

MAINTENANCE AND SERVICING

 Procedures not specifically explained in this manual must be performed only by a qualified technician.

 **WARNING !**

TO PREVENT SERIOUS INJURY FROM ACCIDENTAL OPERATION:

Turn the Power Switch of the tool to its "OFF" position, remove the key, and unplug the tool from its electrical outlet before performing any inspection, maintenance, or cleaning procedures.


TO PREVENT SERIOUS INJURY FROM TOOL FAILURE:

Do not use damaged equipment. If abnormal noise or vibration occurs, have the problem corrected before further use.

CLEANING, MAINTENANCE, AND LUBRICATION

1. **BEFORE EACH USE**, inspect the general condition of the tool. Check for loose hardware, misalignment or binding of moving parts, cracked or broken parts, damaged electrical wiring, and any other condition that may affect its safe operation.
2. **AFTER USE**, wipe external surfaces of the tool with clean cloth. Also, clean the following after every use, and as needed during extended use:

CLEANING, MAINTENANCE, AND LUBRICATION

- Rails
 - Particle Tray (see page 12)
 - Water Tray (see page 13, empty out sediment and water)
 - Pump filter and housing (see page 13, can often be rinsed off without opening pump).
3. If Blade is out of alignment, Table does not slide smoothly or other issues interfere with smooth operation, have the saw serviced by a qualified technician before further use.
 4.  **WARNING!** If the supply cord of this power tool is damaged, it must be replaced only by a qualified service technician.

TROUBLESHOOTING

Problem	Possible Causes	Likely Solutions
Tool will not start.	<ol style="list-style-type: none">1. Cord not connected.2. No power at outlet.3. Tool's thermal reset breaker tripped (if equipped).4. Internal damage or wear. (Carbon brushes or switch, for example.)	<ol style="list-style-type: none">1. Check that cord is plugged in.2. Check power at outlet. If outlet is unpowered, turn off tool and check circuit breaker. If breaker is tripped, make sure circuit is right capacity for tool and circuit has no other loads.3. Turn off tool and allow to cool. Press reset button on tool.4. Have technician service tool.
Tool operates slowly.	Extension cord too long or wire size too small.	Eliminate use of extension cord. If an extension cord is needed, use one with the proper diameter for its length and load. See Table A on page 3.
Performance decreases over time.	<ol style="list-style-type: none">1. Accessory dull or damaged.2. Carbon brushes worn or damaged.	<ol style="list-style-type: none">1. Keep cutting accessories sharp. Replace as needed.2. Have qualified technician replace brushes.
Excessive noise or rattling.	Internal damage or wear. (Carbon brushes or bearings, for example.)	Have technician service tool.

TROUBLESHOOTING

Problem	Possible Causes	Likely Solutions
Overheating.	<ol style="list-style-type: none"> 1. Forcing machine to work too fast. 2. Accessory misaligned. 3. Accessory dull or damaged. 4. Blocked motor housing vents. 5. Motor being strained by long or small diameter extension cord. 	<ol style="list-style-type: none"> 1. Allow machine to work at its own rate. 2. Check and correct accessory to fence and/or table alignment. 3. Keep cutting accessories sharp. Replace as needed. 4. Wear ANSI-approved safety goggles and NIOSH-approved dust mask/respirator while blowing dust out of motor using compressed air. 5. Eliminate use of extension cord. If an extension cord is needed, use one with the proper diameter for its length and load. See Table A on page 3.



Follow all safety precautions whenever diagnosing or servicing the tool. Disconnect power supply before service.

ONE-YEAR LIMITED WARRANTY

The manufacturer warrants this item against defects in materials and workmanship for one (1) years from the date of purchase. If within this period the product is found to be defective in material or workmanship, the manufacturer will, at its option, repair, replace or refund the original purchase price to the customer. Please keep the original sales receipt as proof of purchase and call 1-877-876-7562, 8 a.m. – 5 p.m., CST, Monday – Friday for warranty service.

This warranty is void if product is used for commercial purposes. This warranty is not transferable and does not cover products damaged by misuse, neglect, accident, alterations or use and maintenance other than that specified in the owner's manual. This warranty does not apply to any expendable parts that can wear from normal use.

As some states do not allow exclusions or limitations on an implied warranty, the above exclusions and limitations may not apply to you. This warranty gives you specific legal rights, and you may have other rights that vary from state to state.